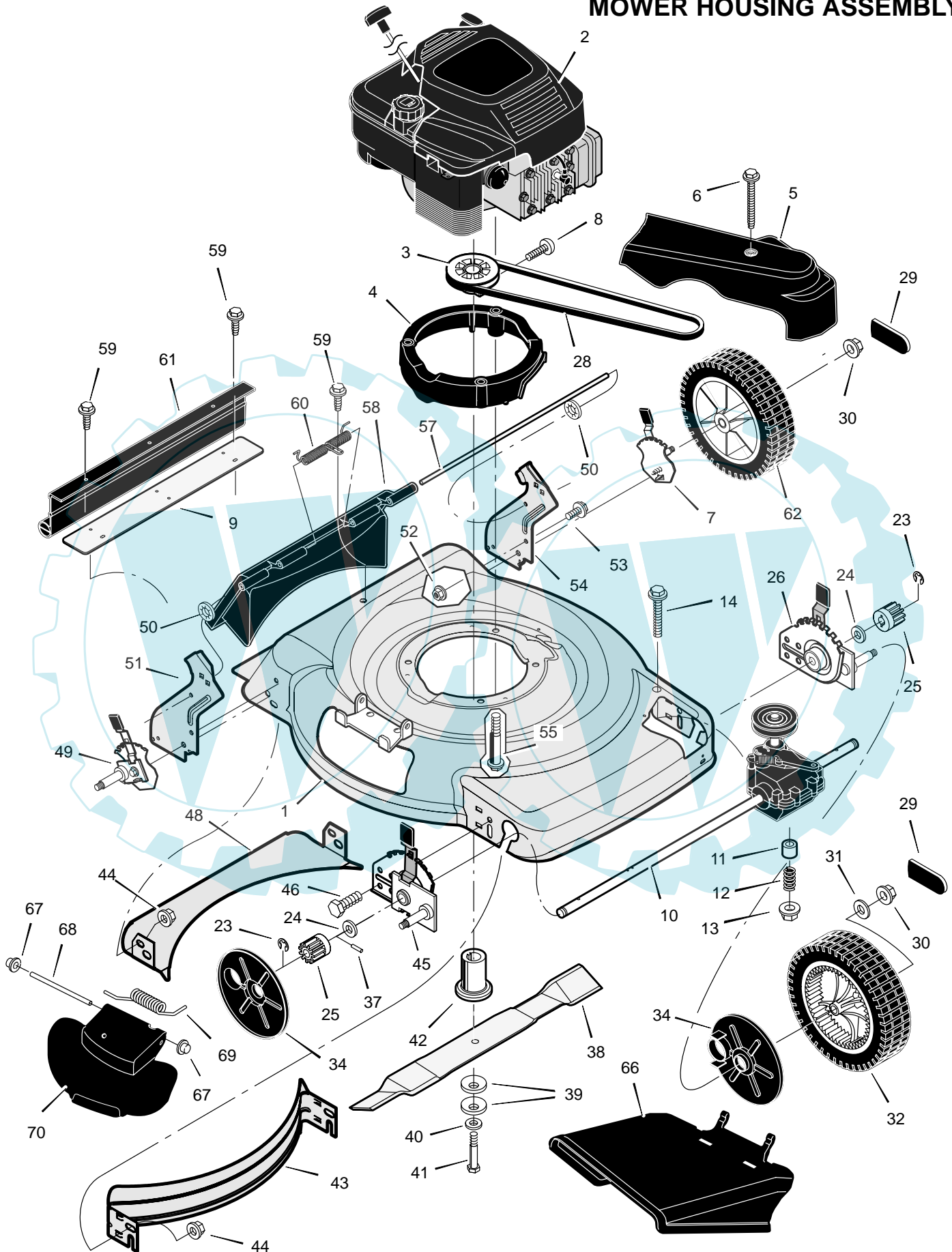


22865x50C

MOWER HOUSING ASSEMBLY



22865x50C

MOWER HOUSING ASSEMBLY

Key No.	Part No.	Description	Key No.	Part No.	Description
1	1101616E245	Housing	40	17x124	Washer
2	-----	Engine *	41	01x144	Bolt
3	1101653	Pulley, Drive	42	1101336	Adapter, Blade
4	1101640	Spacer, Engine (Grey)	43	672915E701	Baffle, Front * *
5	1101568	Cover, Belt (Grey)	44	015x68	Nut, Flange
6	26x306	Screw	45	1101028	Adjuster, Right Front Height
7	672605	Adjuster, Left Rear Height	46	001x85	Bolt
8	26x303	Screw	48	672916E701	Baffle, Rear * *
9	672711E700	Extension, Rear	49	672604	Adjuster, Right Rear Height
10	1101571	Transmission – Note: There are no internal serviceable parts for the transmission.	50	028x49 †	Retainer, Push
11	043844	Spacer	51	1101238E701	Bracket, Right Handle
12	164x27	Spring, Compression	52	015x79	Nut, Flange
13	015x88	Nut	53	001x45	Bolt
14	01x156	Bolt	54	1101239E701	Bracket, Left Handle
23	011x16	E-Ring	55	025x11	Bolt, Engine
24	17x186	Washer	57	215x21 †	Rod, Pivot
25	071792	Gear, Pinion	58	1101071	Door, Rear (Gray)
26	1101029	Adjuster, Left Front Height	59	26x245	Screw
28	37x123	Belt	60	166x44 †	Spring
29	672122	Cap, Hub	61	1101105	Guard, Rear
30	015x84	Nut, Flange	62	071132	Wheel & Tire, Rear
31	17x169	Washer	66	672917	Deflector, Chute
32	071133	Wheel & Tire, Drive	67	028x42	Push On Cap
34	071780	Cover, Dust	68	215x19 Z	Rod, Pivot
37	043629	Pin, Drive	69	166x38	Spring, Torsion
38	1101120E701	Blade	70	672920	Cover, Mulch (Gray)
39	17x137	Washer, Belleville	--	F-040444L	Book, Instruction

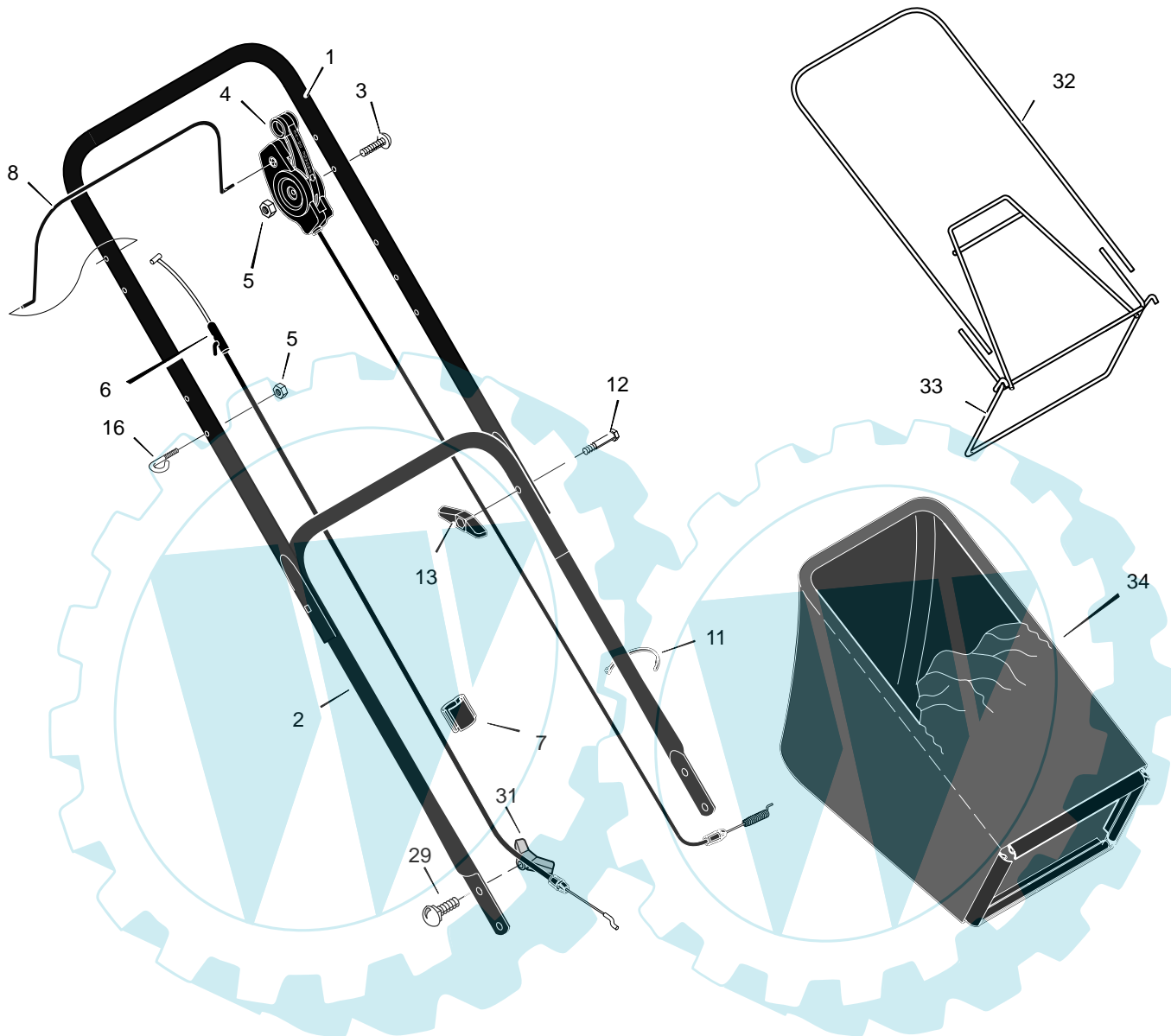
† Included with Key No. 58.

* For information on Replacement Parts for this engine contact the manufacturer.

** Included with Housing, Key No. 1.

22865x50C

HANDLE ASSEMBLY



Key No.	Part No.	Description
1	1101557E724	Handle, Upper
2	672906E724	Handle, Lower
3	025x14	Bolt
4	1101670	Control, Drive
5	15x116	Locknut
6	1101365	Cable, Stop
7	1101353	Fastener, Cable
8	1101076E701	Lever, Stop
11	071372	Fastener, Cable

Key No.	Part No.	Description
12	002x77	Bolt
13	071294	Knob
16	071530	Guide, Rope
29	002x81	Bolt, Carriage
31	071495	Knob, Plastic
32	1101075	Tube, Bag
33	1101074	Frame Assembly
34	1101036	Bag, Cloth